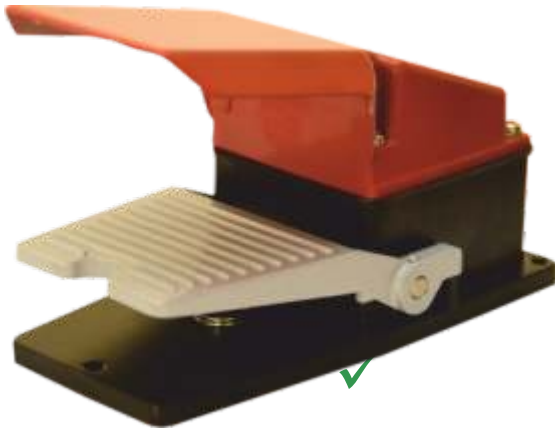


BFS-05 Series



CE RoHS

Features

- Complying with IEC 60947-5-1
- Silver Contact
- Rugged design
- Highly Reliable
- Easy to Operate
- Light weight Aluminum body

Design

BRISK Brand Foot Switches are single and double change over snap action switches featuring exceptional repeat accuracy and strict quality control with silver contacts. Solution for applications requiring a precision lightweight or medium weight foot control.

Technical Specification

Electrical Specification

Rating	: 10A / 500V AC, 15A / 250V AC
Contact Resistance	: 10 m Ω
Insulation Resistance	: 100 M Ω
Electrical Life	: 1 lakh operation
High Voltage Test	: 1 KV AC between open contacts

Mechanical Specification

Contact	: Silver Contact
Terminal	: Brass
Body	: Aluminum pressure die casting
Mechanical Life	: 1 million operation

Ordering code

Standard Models : Delivery 3 Weeks

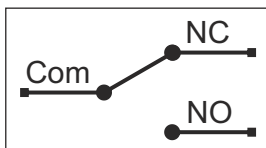
Product Code	Description	Contact Form	Rating
BFS-05 / B	Foot Switch	SPDT	15A/ 250 V AC
BFS-05 / X	Foot Switch	SPDT-DB	10A/ 500 V AC
BFS-05 / XX	Foot Switch	DPDT-DB	10A/ 500 V AC

Note : All other customised Models will have delivery of 5 Weeks and Minimum Order Quantity (MOQ) is applicable.

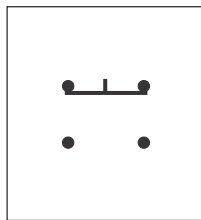
Product Code	Description	Contact Form	Rating
BFS-05 / B / C2.2	Foot Switch , With 2 Core 2 Meter Wire	SPDT-NO	15A/ 250 V AC
BFS-05 / Z / C2.2	Foot Switch , Push To ON, Push To OFF POPO	POPO	10A/ 250 V AC
BFS-05 / Z / C2.4	Foot Switch , Push To ON, Push To OFF POPO	POPO	10A/ 250 V AC

Contact form

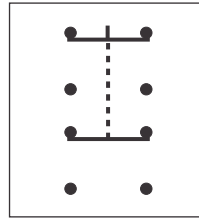
SPDT



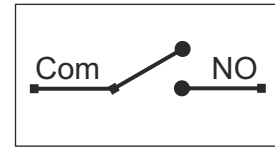
SPDT-DB



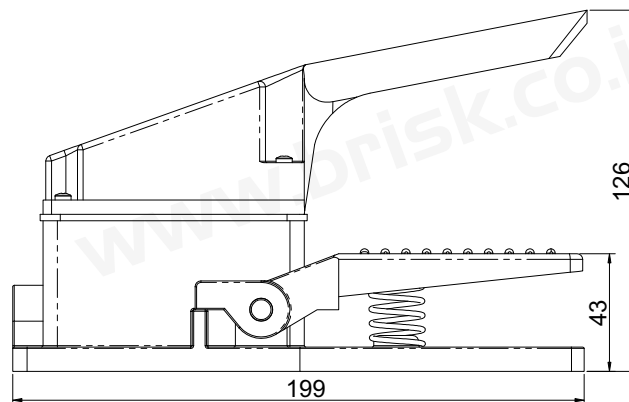
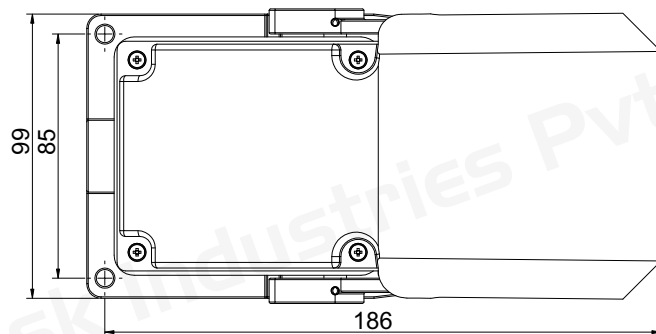
DPDT-DB



SPST - NO



Dimensions



All Dimensions are in mm