

BLS-06 Series



Features

- Ingress Protection : IP67
- Complying with IEC 60947-5-1
- Silver Contact
- Rugged & Highly Reliable design
- Quick make & break action
- Aluminium pressure die casting body
- Suitable for highly contaminated
- Atmospheres and vibration conditions

Design

BRISK Brand BLS Limit Switches are single pole change over snap action switches featuring exceptional repeat accuracy and strict quality control with spring and silver contacts.

Technical Specification

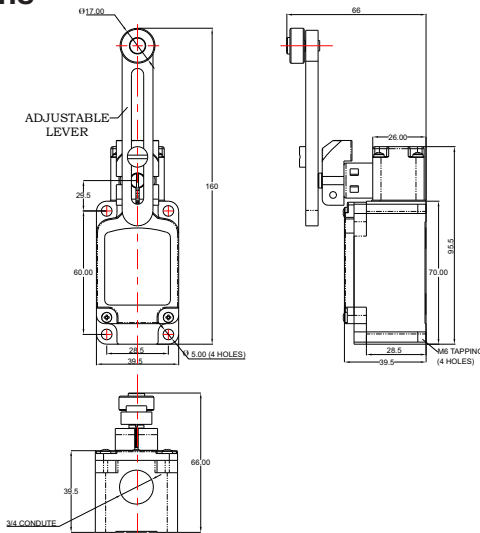
Electrical Specification

Rating : 10A/125, 250 or 480 VAC
 0.8A/125 VDC,
 0.4A/250 VDC
 Contact : SPDT-DB
 Contact Resistance : 10mΩ
 Insulation Resistance: 100MΩ
 High Voltage Test : 1 KV AC between open contacts

Mechanical Specification

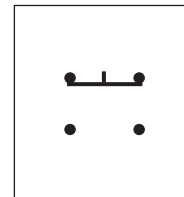
Housing material : Aluminium pressure die casting
 Mounting pitch : 30x60mm
 High Temp. : 90°C (Max)
 LowerTemp. : -40°C (Min.)
 Mechanical Life : Over 10 million cycles
 Switching Principle : Snap-Action
 IP Degree : IP67
 Weight : 350 gms Approx.

Dimensions



Contact form

SPDT-DB



Order code

Order Code	Rating	Contact form
BLS-06	10A / 250 V AC	SPDT-DB