



## T Type Micro Switch

### Features

- Complying with IEC 60947-5-1
- Silver Contact
- Trident Spring mechanism
- Highly Reliable

### Design

BRISK Brand Micro Switches are single pole change over snap action switches featuring exceptional repeat accuracy and strict quality control with trident spring mechanism and silver contacts.



## Technical Specification

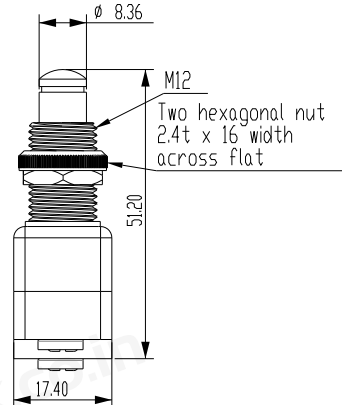
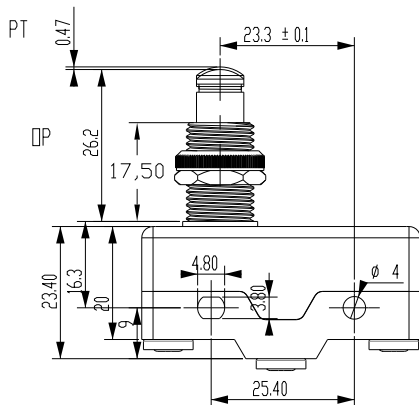
### Electrical Specification

Rating	: 15A / 250V AC
Contact	: 1 NO 1 NC
Contact Resistance	: 10 m Ω
Insulation Resistance	: 100 M Ω
Electrical Life	: 1 lakh operation
High Voltage Test	: 1 KV AC between open contacts

### Mechanical Specification

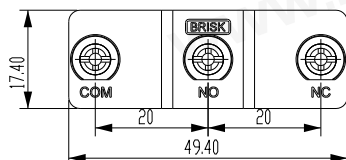
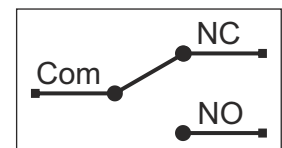
Contact	: Silver contact
Spring	: Beryllium Copper
Terminal	: Brass
Operating Force	: 500 gms.
Mechanical Life	: 1 million operation
Actuator	: Panel Mount Plunger

## Dimensions



### Contact form

SPDT



MD (max.) :- 0.055mm.

All Dimensions are in mm.

## Ordering code

Order Code	Rating	Contact form
T-10	15A / 250 V AC	SPDT