

BFS-10 Series**Features**CE  RoHS

- Complying with IEC 60947-5-1
- Silver Contact
- Rugged design
- Highly Reliable
- Easy to Operate
- Light weight Aluminum body

Design

BRISK Brand Foot Switches are single and double pole change over snap action switches featuring exceptional repeat accuracy and strict quality control with silver contacts. Solution for applications requiring a precision lightweight or medium weight foot control.

Technical Specification**Electrical Specification**

Rating	: 10 A / 500V AC,
Contact Resistance	: 10 m Ω
Insulation Resistance	: 100 M Ω
Electrical Life	: 1 lakh operation
High Voltage Test	: 1 KV AC between open contacts

Mechanical Specification

Contact	: Silver contact
Terminal	: Brass
Body	: Aluminum pressure die casting
Mechanical Life	: 1 million operation

Ordering code

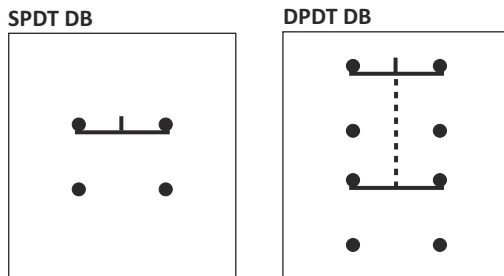
Standard Models : Delivery 3 Weeks

Product Code	Description	Contact Form	Rating
BFS-10 / X	Heavy Duty Foot Switch	SPDT-DB	10A/ 500 V AC
BFS-10 / XX	Heavy Duty Foot Switch	DPDT-DB	10A/ 500 V AC

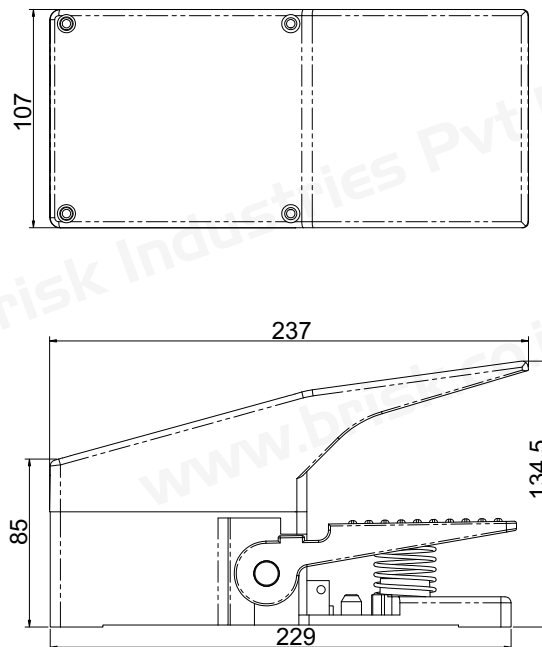
Note : All other customised Models will have delivery of 5 Weeks and Minimum Order Quantity (MOQ) is applicable.

Product Code	Description	Contact Form	Rating
BFS-10 / X / L	Latch Heavy Duty Foot Switch , With Latch	SPDT-DB	10A/ 500 V AC
BFS-10 / X2	Heavy Duty Foot Switch , With 3 Position	2 SPDT-DB	10A/ 500 V AC
BFS-10 / XX / L	Heavy Duty Foot Switch , With 3 Latch	DPDT-DB	10A/ 500 V AC
BFS-10 / XX2	Heavy Duty Foot Switch , With 3 Position	2 DPDT-DB	10A/ 500 V AC
BFS-10 / XX / P5K	Foot Switch , With 5K Ohms POT	DPDT-DB	10A/ 500 V AC
BFS-10 / XX / P10K	Foot Switch , With 10K Ohms POT	DPDT-DB	10A/ 500 V AC

Contact form



Dimensions



All Dimensions are in mm